

# Semi-automatic high security lock

## CombiLock



SECURITY  
CLASS  
2 (CEN B)

### Highlights

- Opening by rotating the keypad
- Closing by rotating the keypad with immediate bolt locking
- Overwind protection when opening
- Rotary spindle with a diameter of 8 mm available as an option (existing bores at the safe can be used)
- Access protected unlocking of the keypad
- Especially suitable for retrofit (existing bores can be used)

Functions	CombiLock 200 simplex	CombiLock 200 pro	CombiLock 200 multi
Security class (VdS/ECB-S)	2/B	2/B	2/B
Switch motor/manual release	■	■	■
Master code	■	■	■
User codes	1	9	50
Quick unlocking code		■	■
Manipulation blockout	■	■	■
Dual code/opening		■	■
Protocol/date and time		1,024	1,024
PC software		CombiComm	CombiComm
Battery compartment in keypad (batteries not in scope of delivery)	2x (AA)	2x (AA)	2x (AA)
Time programs		■	■
Unlocking/opening delay	■	■	■
Optional CombiXT: Blocking device/ancillary control equipment/locking monitoring (VdS C) for BAS integration. Power supply connection		■	■
Power supply unit connection CombiXT	Optional	Optional	Optional

## System Components

### Standard



Control panel  
**CombiControl CL38**

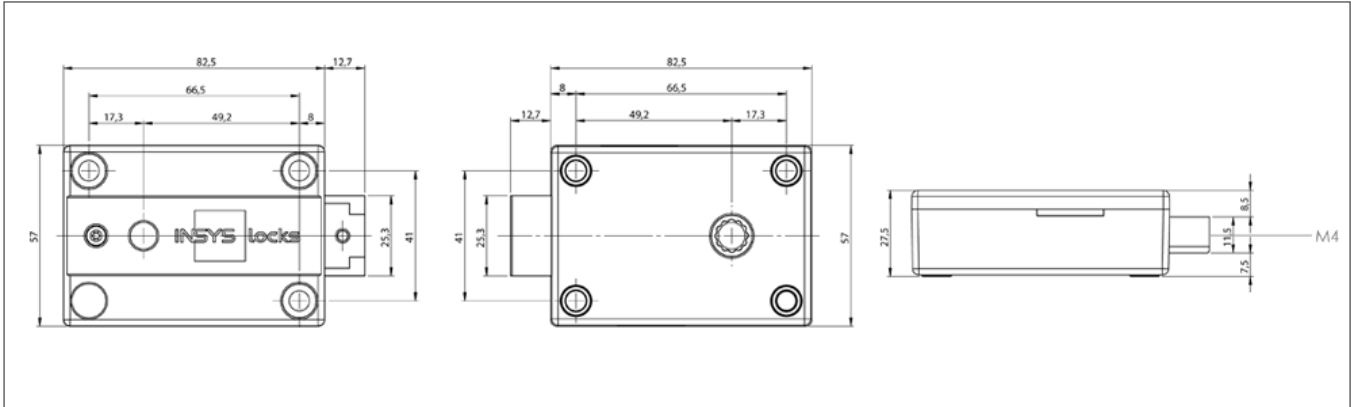


Lock  
**INSYS Lock 200**

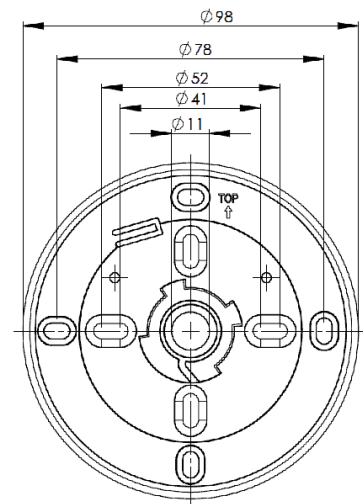
# CombiLock

## Technical Installation

Lock INSYS Lock 200



<b>Bolt stroke</b>	12 mm
<b>Drag/push force</b>	manual
<b>Lock weight</b>	approx. 370 g
<b>Spindle</b>	Length: 160 mm, diameter: 10.4 mm
<b>Slim spindle (optional for retrofit)</b>	Length: 165.5 mm, diameter: 8 mm



Hole pattern of CombiControl CL38 base plate

## Dimensions

CombiControl CL38 operating unit

<b>Diameter</b>	98 mm
<b>Depth</b>	28.5 mm
<b>Weight</b>	approx. 104 g
<b>Number of mounts</b>	4

## Optional



Extension unit and blocking device  
**CombiXT** (except simplex)



**D8 rotary spindle**



Configuration tool  
**CombiComm**  
Configuration and reading the log of lock systems via notebook or PC

© INSYS 210618 - Subject to technical changes and correction